

# Probe tip adapter

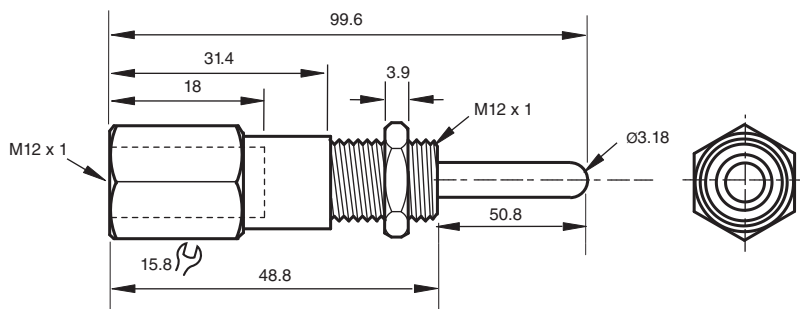
## PTA-12-50



- For space-critical applications
- For use with 12 mm diameter sensors

Probe tip adapter

### Dimensions



### Technical Data

#### Mechanical specifications

Material	Stainless steel
Note	Probe Travel For activation: 0.13 - 0.38 mm Maximum: 1.93 mm

#### General information

Note	Use a 12mm sensor with a standard "shielded" sensing range (Sn=2mm) for best results.
------	---

Release date: 2022-03-18 Date of issue: 2022-03-18 Filename: 904111\_eng.pdf

Refer to "General Notes Relating to Pepperl+Fuchs Product Information".

Pepperl+Fuchs Group  
www.pepperl-fuchs.com

USA: +1 330 486 0001  
fa-info@us.pepperl-fuchs.com

Germany: +49 621 776 1111  
fa-info@de.pepperl-fuchs.com

Singapore: +65 6779 9091  
fa-info@sg.pepperl-fuchs.com

**PF** PEPPERL+FUCHS